



www.csoft.com

WiselImage 11 for Windows

# WiselImage®

WiselImage 11 for Windows – CAD with a clear image

Where CAD meets image processing  
 Ultimate image and vector  
 processing tools  
 Automatic R2V and V2R conversion  
 Look and feel of 2D CAD application  
 Intelligent raster selection and editing  
 Open Architecture with COM interface  
 Direct scanner support  
 Batch processing

WiselImage has become the perfect combination of a 2D CAD package including an image processing application. It blends raster and vector, productivity and precision, CAD functionality and image processing capabilities perfectly –everything in just one cost-effective application. WiselImage 11 combines the power of a raster-vector (raster images overlaid with vector elements) editor and raster to vector converter with a complete set of powerful image processing tools. Now WiselImage is a better CAD application than your favourite CAD package. Native CAD-style interface with command line and layouts with viewports, combined with high-end image processing, results in a strong synergetic effect! WiselImage 11 works with DWG files exactly as a CAD application and processes raster files as the best image processing application. This makes WiselImage 11 a one-stop-solution for a wide range of applications – GIS, cadastral, aerial and satellite image processing, architecture, engineering, schematics to mention but a few.

## New features for user's benefits

WiselImage 11 is Windows Vista-compatible

Improved DWG-format compatibility:

- Import of AutoCAD 2007/2008 drawings and DXF
- Workspace includes Drawing Layouts and Viewports as in AutoCAD
- Extended line styles and hatch type support
- Dimension style support, new dimension objects (large radial and arc dimensions)
- Proxy and complex entities processing

Coordinate system:

- User Coordinate System AutoCAD-style support (UCS icon, UCS commands)
- New angular units in coordinate settings

AutoCAD style editing

- Construction objects (ray, line) and primitive object (polygon) were added
- AutoCAD style object grips and dragging
- Node selection mode for polylines
- Object tracking snap mode on vectors (similar to AutoCAD) extending also onto raster objects

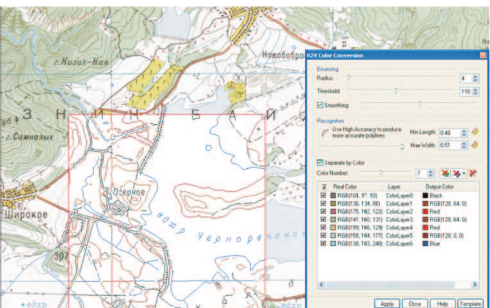
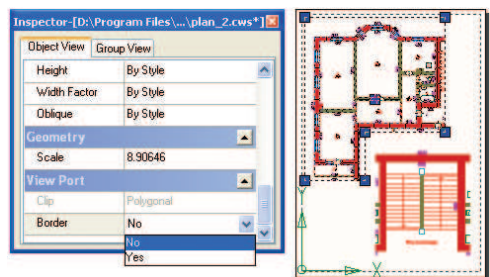
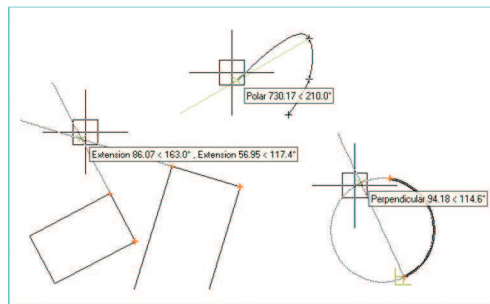
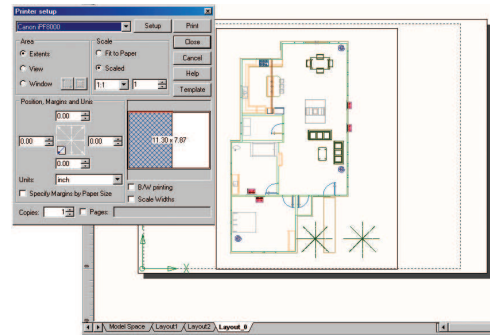
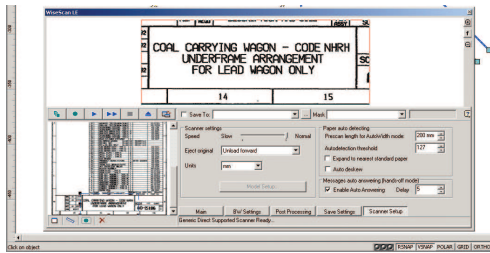
External application and custom objects support

- COM and DDE interface
- Languages such as C++, Java and scripts can be used for WiselImage add-ins
- Speedup and usability improvement
- Updated CWS format, more compact and robust
- Autosave and Recover
- Print Setup dialog redesigned for better usability
- New feature - individual clip for multiple raster insertion

Start today!

Get real CAD functionality with full  
 Intelligent Raster feature support in  
 just one application – now!

# CSoft



## One step from scanner to CAD

Large format scanners produce high-quality black and white, greyscale, or colour raster images. To effectively transfer scanned drawings to CAD, efficient post-processing software is necessary; the ideal solution is WiselImage. Built-in is a high-end scanning module called WiseScan with native support for most wide-format scanners. Image cleanup, correction, calibration, bit-depth reduction and raster-to-vector conversion with WiselImage eliminates repetitive and time-consuming manual procedures.

## High quality and precision: Image processing at its best

Exact calibration is essential when processing scanned drawings. WiselImage offers multiple options for selecting the most suitable method, importing coordinate values or assigning point positions manually. High quality transformation algorithms provide very accurate results.

Full colour images are huge so it is vital to minimize image file sizes. WiselImage can do this without any loss of information. Coloured areas can be combined according to colour similarities or by referring to their distribution frequencies. With the help of this technology the number of colours in an image can be reduced from millions to tens.

In WiselImage it is possible to crop, change resolution, scale, deskew, and calibrate colour and greyscale raster images. It is possible to change brightness, contrast, hue and saturation and adjust the colour gamut, improve image quality and apply colour filters. Users can easily manage the colours of the image and create/edit LUT files using the Colour Classifier. It is easy to edit, construct or add information onto these images, even rasterizing vectors to generate raster file as often required for compliance purposes. Merging monochrome and colour images is also a one-click task.

## Intelligent raster objects and tracing

WiselImage offers several advanced options for working with raster and vector data. One such is the unique technology to select raster objects or separate them into layers. This feature is based on the intelligent selections and the smart WiseObject (text, hatches, and lines) selection. The built-in OCR feature can recognize characters and numerals within the text block that the user is going to modify. WiselImage also allows the use of external OCR modules – e.g. OCR for Chinese language.

WiselImage has an advanced tracing function (semi-automatic – interactive raster to vector conversion) for colour, greyscale or monochrome images. In addition to easy detailed objects tracing in WiselImage, it is possible to trace raster shapes that correspond with vector templates. Select a raster shape and WiselImage will automatically match it to the appropriate vector object from a default Symbol Library or a customized library created to match user requirements. The polyline tracing feature includes auto-detection of tracing direction.

## 'Pro' means professional

**Automatic Raster-to-vector conversion.** The professional version of WiselImage is WiselImage Pro. It features automatic conversion of scanned drawings to CAD files, one-by-one or in batch mode - even overnight. Conversion after fine-tuning of the template parameters with the built-in preview allows for very precise results. Templates can be named, saved and called as required. The original or custom line styles, widths, text height, and hatch styles are preserved during conversion. The result of a vectorization will include lines, polylines, arcs, circles, text, and shapes (blocks).

**Vector enhancement tools.** WiselImage Pro has a comprehensive set of tuning tools for the auto-correction of vectors obtained as a result of a raster-to-vector conversion, such as merging a group of vectors to an object of a given type (e.g. some segments to an arc or circle), trimming, extending and more.

**Open architecture.** WiselImage Pro provides a revolutionary breakthrough in the way its open architecture and ActiveX technology can be used for automation and scripting to create vertical adaptations or remove repetitive time consuming tasks. The COM interface as well as built-in script editor opens new horizons for 3rd -party developers and advanced users. There are no other CAD software with raster processing and R2V functionality offering an open programming interface.



Spanish official partner:



C/Perfumería, 21. Nave I. Polígono Industrial La Mina  
28770 Colmenar Viejo. Madrid (Spain)  
Tel: +34 918 467 390 Fax: +34 918 457 889  
e-mail: rastertech@rastertech.es www.rastertech.es